

Tufline

FERTILIZER SPREADER OPERATOR'S MANUAL

MODEL SF500T



- Please read this manual carefully before operating the equipment

WARRANTY

Monroe-Tufline Manufacturing Co., Inc. ("Monroe-Tufline") warrants this product to be free from defect in material and workmanship. Except as otherwise set forth below, the duration of this Warranty shall be for NINETY(90) DAYS COMMENCING ON THE DATE OF DELIVERY OF THE PRODUCT TO THE ORIGINAL PURCHASER.

Under no circumstances will this Warranty apply in the event that the product, in the good faith opinion of Monroe-Tufline, has been subjected to improper operation, improper maintenance, misuse, or an accident. This Warranty does not apply in the event that the product has been materially modified or repaired by someone other than Monroe-Tufline, a Monroe-Tufline authorized dealer or distributor, and/or a Monroe-Tufline authorized service center. This Warranty does not cover normal wear or tear, or normal maintenance items. This Warranty also does not cover repairs made with parts other than those obtainable through Monroe-Tufline.

This Warranty is extended solely to the original purchaser of the product. Should the original purchaser sell or otherwise transfer this product to a third party, this Warranty does not transfer to the third party purchaser in any way. There are no third party beneficiaries of this Warranty.

Monroe-Tufline makes no warranty, express or implied, with respect to cutting edges, shanks, tires or other parts or accessories not manufactured by Monroe-Tufline. Warranties for these items, if any, are provided separately by their respective manufacturers.

Monroe-Tufline's obligation under this Warranty is limited to, at Monroe-Tufline's option, the repair or replacement, free of charge, of the product if Monroe-Tufline, in its sole discretion, deems it to be defective or in noncompliance with this Warranty. Such parts shall be provided by the selling dealer to the user during regular working hours. If requested, the product must be returned to Monroe-Tufline with proof of purchase within thirty (30) days after such defect or noncompliance is discovered or should have been discovered, routed through the dealer and distributor from whom the purchase was made, transportation charges prepaid. Monroe-Tufline shall complete such repair or replacement within a reasonable time after Monroe-Tufline receives the product. THERE ARE NO OTHER REMEDIES UNDER THIS WARRANTY. THE REMEDY OF REPAIR OR REPLACEMENT IS THE SOLE AND EXCLUSIVE REMEDY UNDER THIS WARRANTY.

THERE ARE NO WARRANTIES WHICH EXTEND BEYOND THE DESCRIPTION ON THE FACE OF THIS WARRANTY. MONROE-TUFLINE MAKES NO OTHER WARRANTY, EXPRESS OR IMPLIED, AND MONROE-TUFLINE SPECIFICALLY DISCLAIMS ANY IMPLIED WARRANTY OF MERCHANTABILITY AND/OR ANY IMPLIED WARRANTY OF FITNESS FOR A PARTICULAR PURPOSE (EXCEPT WHERE PROHIBITED BY LAW).

Monroe-Tufline shall not be liable for any incident or consequential losses, damages or expenses, arising directly or indirectly from the product, whether such claim is based upon breach of contract, breach of warranty, negligence, strict liability in tort or any other legal theory. Monroe-Tufline's obligation under this warranty, to the extent allowed by law, is in lieu of all warranties, implied or expressed for a particular purpose and any liability for incidental and consequential damages with respect to the sale or use of the items warranted. Such incidental and consequential damages shall include but not be limited to: transportation charges other than normal freight charges; loss of crops or any other loss of income; rental of substitute equipment, expenses due to loss, damage, detention or delay in the delivery of equipment or parts resulting from acts beyond the control of Monroe-Tufline.

This Warranty is subject to any existing conditions of supply which may directly affect Monroe-Tufline's ability to obtain materials or manufacture replacement parts.

No agent, representative, dealer, distributor, serviceperson, salesperson, or employee of any company, including without limitation, Monroe-Tufline, its authorized dealers, distributors, and service centers, is authorized to alter, modify, or enlarge this Warranty.

This Warranty is subject to the warranty registration being submitted. For warranty services, contact your selling dealer.

WARRANTY FOR PARTS

Monroe-Tufline Manufacturing Co., Inc. ("Monroe-Tufline") warrants its parts to be free from defect in material and workmanship for a period of ninety (90) days from the date of delivery of the part(s) to the original purchaser.

Replacement or repair parts installed in the equipment covered by warranty are warranted for ninety (90) days from date of purchase of such part or to the expiration of the applicable new equipment warranty period, whichever occurs later.

Under no circumstances will this Warranty apply in the event that the product the parts are installed in, in the good faith opinion of Monroe-Tufline, has been subjected to improper operation, improper maintenance, misuse, or an accident. This Warranty does not cover normal wear or tear, or normal maintenance items.

This Warranty is extended solely to the original purchaser of the product. Should the original purchaser sell or otherwise transfer this product to a third party, this Warranty does not transfer to a third party purchaser in any way. There are no third party beneficiaries of this Warranty.

Monroe-Tufline's obligation under this Warranty is limited to, at Monroe-Tufline's option, the repair or replacement, free of charge, of the product if Monroe-Tufline, in its sole discretion, deems it to be defective or in non-compliance with this Warranty. The selling dealer shall provide such parts to the user during regular working hours. **If requested, the product must be returned to Monroe-Tufline with proof of purchase within thirty (30) days after such defect or noncompliance is discovered or should have been discovered, routed through the dealer and distributor from whom the purchase was made, transportation charges prepaid.** Monroe-Tufline shall complete such repair or replacement within a reasonable time after Monroe-Tufline receives the product. **THERE ARE NO OTHER REMEDIES UNDER THIS WARRANTY. THE REMEDY OF REPAIR OR REPLACEMENT IS THE SOLE AND EXCLUSIVE REMEDY UNDER THIS WARRANTY.**

THERE ARE NO WARRANTIES WHICH EXTEND BEYOND THE DESCRIPTION ON THE FACE OF THIS WARRANTY. MONROE-TUFLINE MAKES NO OTHER WARRANTY, EXPRESS OR IMPLIED, AND MONROE-TUFLINE SPECIFICALLY DISCLAIMS ANY IMPLIED WARRANTY OF MERCHANTABILITY AND/OR ANY IMPLIED WARRANTY OF FITNESS FOR A PARTICULAR PURPOSE (EXCEPT WHERE PROHIBITED BY LAW).

Monroe-Tufline shall not be liable for any incidental or consequential losses, damages or expenses, arising directly or indirectly from the product, whether such claim is based upon breach of contract, breach of warranty, negligence, strict liability in tort or any other legal theory. Without limiting the generality of the foregoing, Monroe-Tufline specifically disclaims any damages relating to (i) lost profits, business, revenues or goodwill; (ii) loss of crops; (iii) loss because of delay in harvesting; (iv) any expense or loss incurred for labor, supplies, substitute machinery or rental; or (v) any other type of damage to property or economic loss.

This Warranty is subject to any existing conditions of supply which may directly affect Monroe-Tufline's ability to obtain materials or manufacture replacement parts.

No agent, representative, dealer, distributor, service person, salesperson, or employee of any company, including without limitation, Monroe-Tufline, its authorized dealers, distributors, and service centers, is authorized to alter, modify, or enlarge this Warranty.

For warranty services, contact your selling dealer.

Owner Registration:

Name _____ Address _____

Dealer Name _____ City/State/Zipcode _____

Date of Purchase _____ Model Number _____

Comments _____

General Safety Regulations

Read this manual carefully before operating the equipment.

In addition to the safety regulations given in this manual it is imperative that the general rules for safety and hygiene at work be respected at all times, as well as the public highway code.

- ❑ Before commencing work with the machine it is necessary to become familiar with the operation of the controls and operating devices.
- ❑ Before switching on the atv make sure that all the protection equipment is correctly installed.
- ❑ Do not exceed the maximum load capacity (600 lbs) of fertilizer recommended by the manufacturer.
- ❑ Do not use any equipment not recommended by the manufacturer, and do not modify the machine or its components.

Notice

Disengagement lever is located in the tongue for shipping purposes only. To assemble, remove bolt from gear box disengagement lever. Put lever into lever holder. Line the hole in the handle with the bolt. Reassemble nut and bolt. Do not over tighten. Handle needs to move loosely.

Safety Decals

⚠ WARNING



TO PREVENT SERIOUS INJURY OR DEATH

- Do not operate or work on this machine without reading and understanding the operator's manual.
- Avoid unsafe operation and maintenance.
- If manual is lost, contact your dealer or Mfg. at (1-800-537-5943) for a new one.

14167

⚠ WARNING



NO RIDERS ON IMPLEMENTS!

14942

MEMBER



FEMA
FARM EQUIPMENT
MANUFACTURERS
ASSOCIATION

⚠ NOTICE

Thoroughly rinse machine after use with fertilizers. Lubricate all moving parts after every use.

14633

⚠ WARNING



OVERTURN HAZARD – To Prevent Serious Injury or Death

- Do not operate at high speeds.
- Do not turn sharply.
- Do not operate on unlevel ground.
- Do not allow riders
- Keep bystanders and children clear when operating.

14169

⚠ NOTICE

TO PREVENT EQUIPMENT DAMAGE

- Read owner's manual and return warranty registration card.
- Tuffine's ATV series implements are designed for all-terrain utility vehicles and your lawn and garden tractors only.
- Operate at low speed, in low gear and be careful not to overheat your power source.
- Sharp turns and high speeds can cause stress to your unit and power source.
- Tuffine's ATV implements are not designed for high speed transport on public roads.
- Retighten all bolts & check implement prior to each operation.

14168



MOSSY OAK / **Tuffine**

USE ON MODELS
ATVB, ATVD, ATVLR, ATVG,
SB SERIES, UC

USE WITH TMO-1A OR TMO-1B

SHEET # 2
SHEET PN: 14634
EFFECTIVE 11/02

⚠ WARNING



Keep hands, fingers, and feet clear during adjustment and operation. Injury or dismemberment may occur if not careful!

12580

⚠ WARNING



FALLING BLADE HAZARD

- Can cause serious injury or death.
- Keep hands and feet from under raised blade.

12585

A Custom Application of

CALSort MARKING SYSTEMS
BY FIREBALL DECALS

PATENTED
U.S. PATENT #6159569

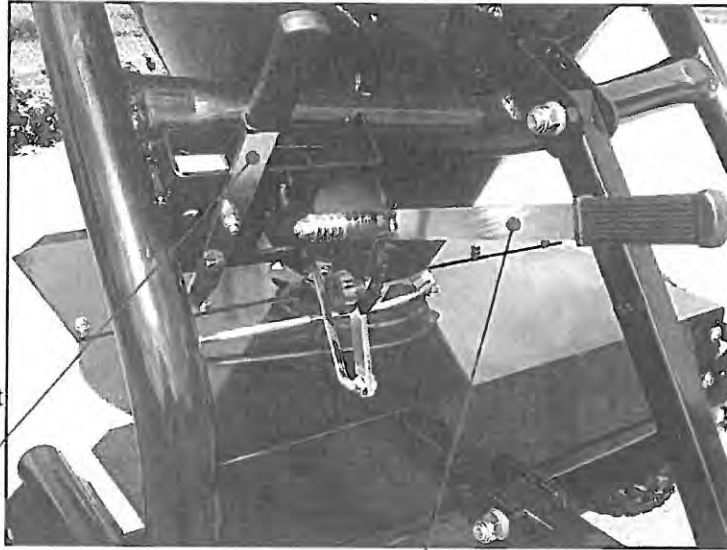
OTHER U.S. & FOREIGN PATENTS PENDING

This Layout & Design Is Copyrighted By Fireball Decals,
& Copyright 2003-All Rights Reserved.

Safety rules and prevention of accidents

- ❑ The operator of this fertilizer spreader must be competent and being good physical and visual conditions and must be able to co-ordinate the different functions. Moreover he must apply the established rules and act with the necessary precaution while carrying out a job, so that he does not expose himself or other people to danger.
- ❑ The operator must put the instructions given in this manual into practice and make sure all persons understand their responsibilities.
- ❑ The operator must act only after being certain and sure on how to use the entire equipment.
- ❑ He must not neglect the servicing of the machine.
- ❑ During the job, the operator must be able to control the machine and oversee the area where the machine is operating.
- ❑ It is recommended to wear clothing which has no loose parts that can get entangled in the machine.
- ❑ Do not make any emergency repairs on the machine in order to start or finish a job.
- ❑ Check that the instruction/warning plates and decals are clean and easily seen and that the safety devices are in place and well locked.
- ❑ Do not drink alcohol or take medicines before or during work or when carrying out maintenance/service work.
- ❑ Always use gloves and if necessary safety eye glasses during servicing of the fertilizer machine.
- ❑ Do not clean or oil parts of the fertilizer machine while in motion/use.
- ❑ Check the conditions of the bolts and tighten them adequately before starting work.
- ❑ Check if there are foreign objects in the hopper and be careful not to drop the bag, which contains the fertilizer, into the hopper.
- ❑ Do not carry objects that could slip out of your pockets or your top pockets while leaning over the machine.
- ❑ All necessary maintenance must be carried out when the fertilizer spreader machine is turned off.

Adjustment of the fertilizer spreading

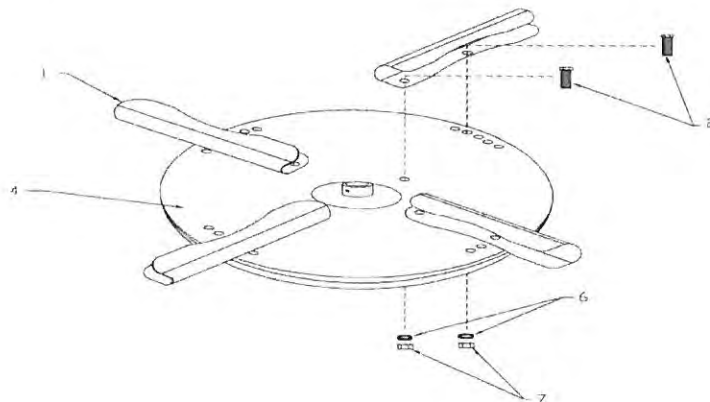


Control lever to direct the spreading

Control lever to regulate the dosage by means of mechanical lock

For a larger spreading distance you can adjust the veins of the disc:

Loosen the bolt positioned near the center of the disc;
Remove the outer bolt which attaches the vein;
Move the vein toward the desired position;
Reassemble the bolt and tighten nut firmly;
Tighten all other bolts.



The same operation must be repeated with the other three veins, remembering to maintain the same order for all of them

Serial number and identity plate

Manufacturer: Monroe Tufline

Equipment: Fertilizer Spreader Mod. SF500T

Identity plate:



Maintenance

The servicing of your spreader is very important and must be done carefully as it gives a lower operational cost and a long life of the equipment.

Servicing

In this part of the manual we examine the most frequent cases of servicing:

After use

- wash the machine with water
- dry all the metal parts carefully
- grease all the moving parts of the machine
- check and tighten all bolts

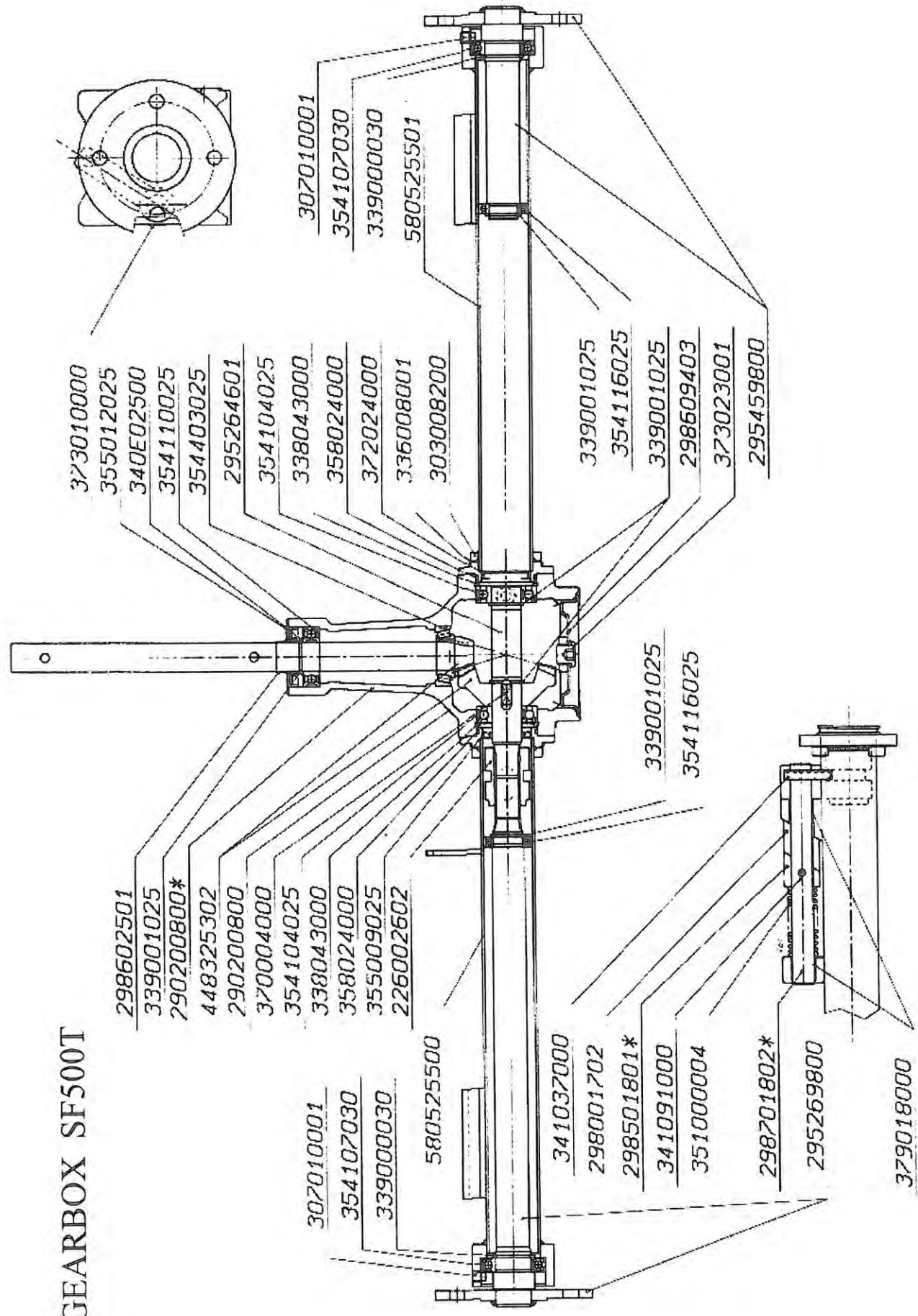
Periodical servicing

- change the oil and grease in the gear box after the first 30 working hours
- every subsequent 250 hours of work this operation has to be repeated by unscrewing the drainage cap of the gear box and waiting for the oil to drain out completely
- turn the machine in such a way as to have the cap opening in the ideal position to fill up the gear box with approx. 0,25 kg of new oil
- check the metal parts which are under great strain during working conditions and if necessary replace them

Replacement servicing

- wash the machine with water and sodium carbonate, taking care to dry the machine properly
- retouch the metal parts with paint if necessary lubricate the moving parts with grease and spray other parts with oil
- protect the machine by covering it with a nylon or canvas cover stow, in a dry room and off the ground

GEARBOX SF500T



- 298602501
- 339001025
- 290200800*
- 448325302
- 290200800
- 370004000
- 354104025
- 338043000
- 358024000
- 355009025
- 226002602

- 307010001
- 354107030
- 339000030

580525500

- 341037000
- 298001702
- 298501801*
- 341091000
- 351000004

- 298701802*
- 295269800

379018000

- 373010000
- 355012025
- 340E02500
- 354110025
- 354403025
- 295264601
- 354104025
- 338043000
- 358024000
- 372024000
- 336008001
- 303008200

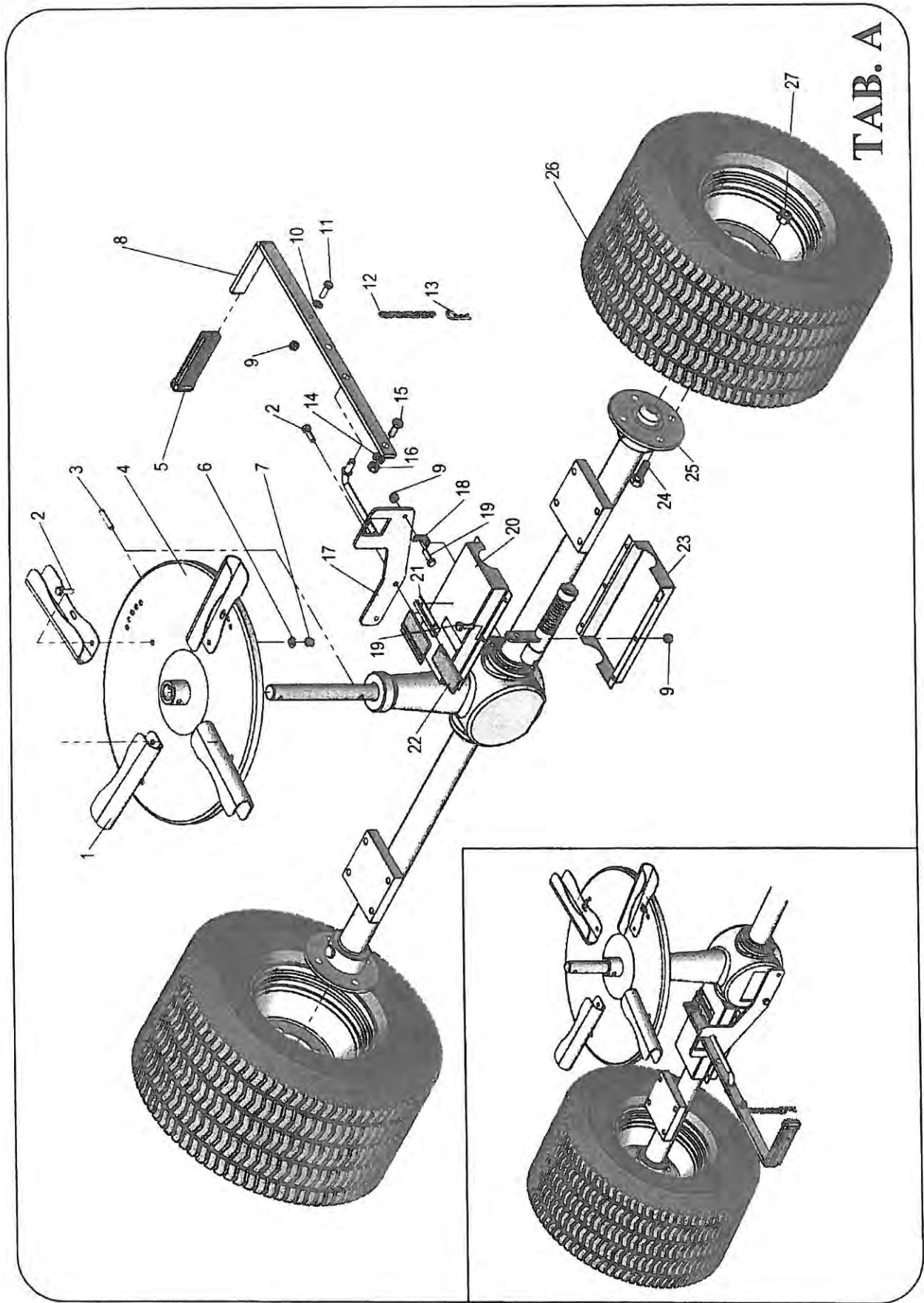
- 307010001
- 354107030
- 339000030
- 580525501

- 339001025
- 354116025
- 339001025
- 298609403
- 373023001
- 295459800

- 339001025
- 354116025

SF300T GEARBOX PARTS LIST

CODE	DESCRIPTION	QTY
226002602	Disengaging Sleeve 22x19 DIN 5482	1
290200800	"FAZA" Spreader Box 2018 - G25	1
295264601	Shaft XY 2018 "R" 22X19 DIN 5482 SPEC.	1
295269800	Shaft with Flange L=459.5 2018 FAZA	1
295459800	Shaft with Flange L=186 2018 FAZA	1
298001702	Disengagement Lever L=70 2018 FAZA	1
298501801	Fixing Disengaging Rod Compass 2018	1
298602501	Protection D.25X65X9.5	1
298609403	Cover D.94 with hole 3/8" GAS X 2018	1
298701802	Stainless steel Disengaging Rod 2018 D.18	1
303008200	Screw M 8X25X1,25 C 8,8 UNI5931	8
307010001	Screw M 10X12X1.5 C12,9 UNI5925 P.CIL	2
336008001	Schnorr Washer S8	8
338043000	Flexible Ring I. 52X2,00 DIN472/1	2
339000030	Flexible Ring E. 30X2,00 DIN 471/2	2
339001025	Flexible Ring E. 25X2,00 DIN 471/2	5
340E02500	Ring – Thickness E.025	1
341037000	Flexible Pin 8X40 DIN1481	1
341091000	Flexible Pin 6x28 DIN1481	1
351000004	Spring D.3 Spreader Disengagement	1
354104025	Bearing 6205 25x52x15 SF	2
354107030	Bearing 6006 2RS1 30x55x13 SF	2
354110025	Bearing 6205 2RS1 25x52x15 SF	1
354116025	Bearing 61905 RS1 25x42x9 SF. Q.I.	2
354403025	Bearing 30205 25x52x16,25 R.C.D.Q.	1
355009025	Retaining Ring 025x042X006	1
355012025	Retaining Ring 025x052x007	1
358024000	OR Ring 3181 D. 45,69x2,62	2
370004000	Tang B 8X7x18 UNI 6604	1
372024000	Locking Cap 42x7	1
373010000	Cap 3/8"GAS CON. DIN906	1
373023001	Cap 3/8"GAS CIL.+ Aluminium Seal	1
448325302	Bevel Torque R=3,25X2018 Spreader	1
580525500	Complete Extension Pipe L=478.5 2018 Disengagement	1
580525501	Complete Extension pipe L=478.5 2018 FAZA	1

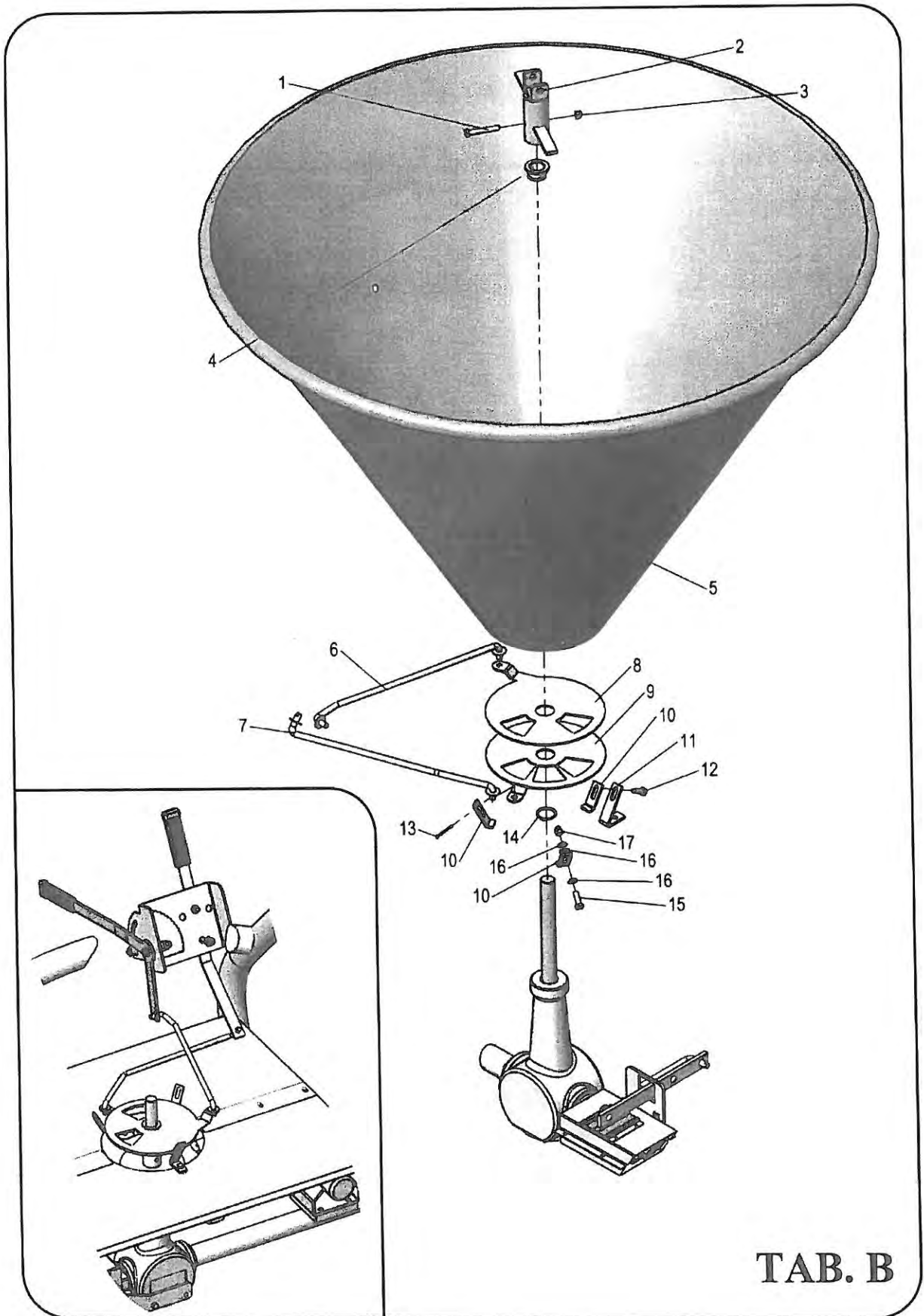


TAB. A

Tufline

FERTILIZER SPREADER SF500T	
TABLE NR°	DESCRIPTION
A	Axle with disc

NO.	PARTS LIST	QTY	Part #
1	Vein	4	TUF01A
2	Galvanized Screw TE M8X20 ZN	10	TUF02A
3	Galvanized Pin 8x40 ZN	1	TUF03A
4	Vein Holder Disc	1	TUF04A
5	Handle Grip	1	TUF05A
6	Galvanized Washer M8 ZN	8	TUF06A
7	Self-Locking Nut M8	8	TUF07A
8	Disengagement Lever	1	TUF08A
9	Self-Locking Nut M6	8	TUF09A
10	Galvanized Washer M6 ZN	1	TUF010A
11	Galvanized Screw TE M6x25 ZN	1	TUF011A
12	Chain	1	TUF012A
13	Small 'R' Split Pin D.3	1	TUF013A
14	Galvanized Washer M10 ZN	1	TUF014A
15	Galvanized Screw TE M10x30 ZN	1	TUF015A
16	Self-Locking Nut M10	1	TUF016A
17	Gearbox Disengagement Lever Holder	1	TUF017A
18	Gearbox Box Holder	1	TUF018A
19	Galvanized Screw TE M6x15 ZN	7	TUF019A
20	Upper Punched Disengagement Housing	1	TUF020A
21	Brush Holder	2	TUF021A
22	Brush	2	TUF022A
23	Lower Disengagement Housing	1	TUF023A
24	Galvanized Screw TE M12x35 ZN	8	TUF024A
25	Axle	1	TUF025A
26	Wheel with Rim	2	TUF026A
27	Self-Locking Nut M12	8	TUF027A

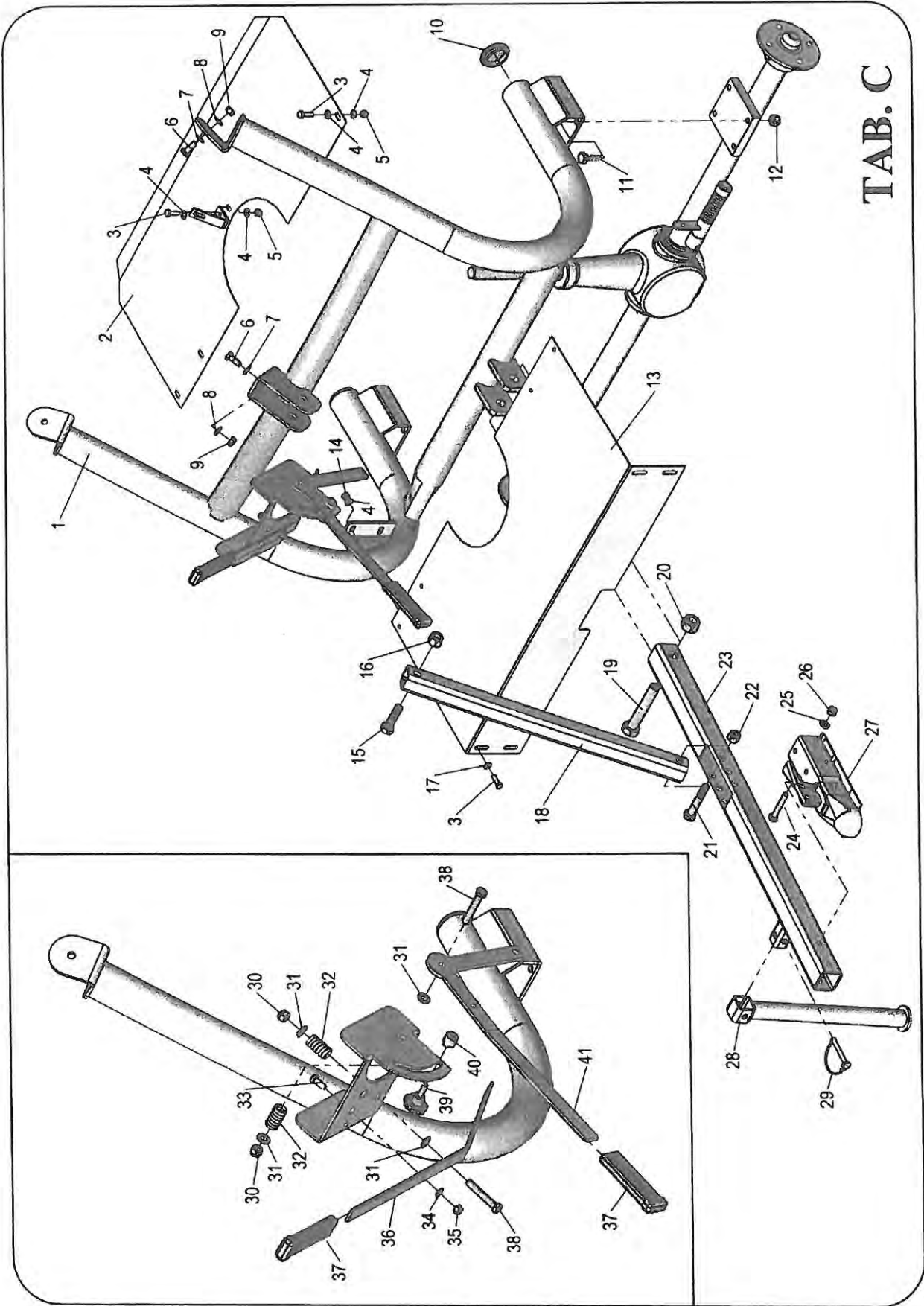


TAB. B

Tufline

FERTILIZER SPREADER SF500T	
TABLE NR°	DESCRIPTION
B	Hopper with Discs

NO.	PARTS LIST	QTY	Part #
1	Galvanized Screw TE M8x55 ZN	1	TUF01B
2	Agitator	1	TUF02B
3	Self-Locking Nut M8	1	TUF07A
4	Agitator Bushing	1	TUF04B
5	Hopper	1	TUF05B
6	L.H. Connecting Rod	1	TUF06B
7	R.H. Connecting Rod	1	TUF07B
8	Upper Opening Ring	1	TUF08B
9	Lower Opening Ring	1	TUF09B
10	Ring Holder	3	TUF010B
11	Carter Holder	1	TUF011B
12	Galvanized Screw TE 8x25 ZN	1	TUF012B
13	Split Pin 3x20	4	TUF013B
14	Snap Ring	1	TUF014B
15	Galvanized Screw TE 8x20 ZN	2	TUF02A
16	Galvanized Washer M8 ZN	9	TUF06A
17	Galvanized Nut M8 ZN	3	TUF017B

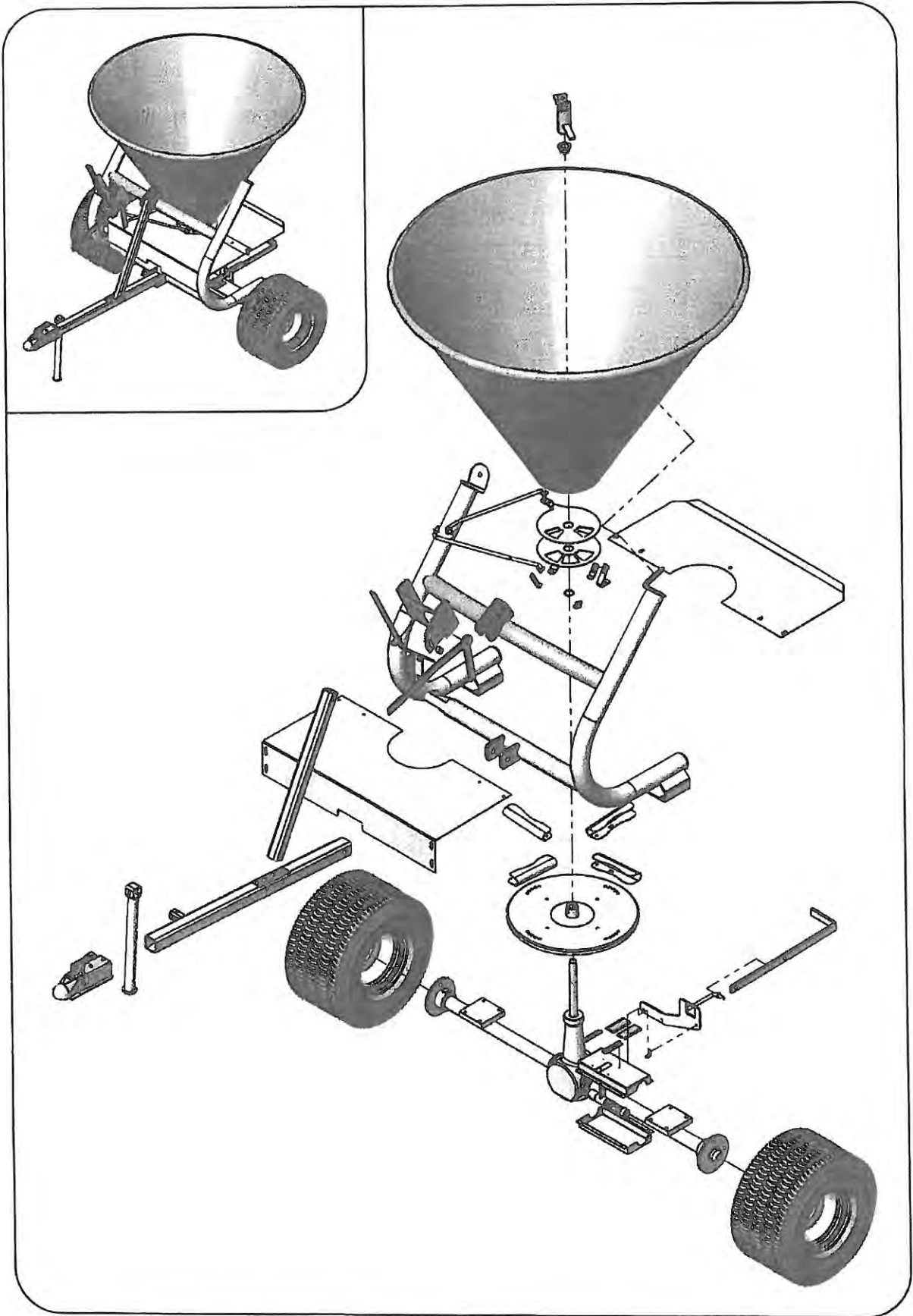


TAB. C

Tufline

FERTILIZER SPREADER SF500T	
TABLE NR°	DESCRIPTION
C	FRAME WITH BEAM

NO.	PARTS LIST	QTY	Part #
1	Frame	1	TUF01C
2	Rear Guard	1	TUF02C
3	Galvanized Screw TE M8x20 ZN	9	TUF02A
4	Galvanized Washer M8 ZN	14	TUF06A
5	Self-Locking Nut M8	5	TUF07A
6	Galvanized Screw TE M10x25 ZN	3	TUF06C
7	Galvanized Washer M10 ZN	3	TUF014A
8	Galvanized Washer M10 ZN	3	TUF014A
9	Nut M10	3	TUF09C
10	Rubber Cap	2	TUF010C
11	Galvanized Screw TE M10x25 ZN	8	TUF06C
12	Self-Locking Nut M10	8	TUF016A
13	Front Guard	1	TUF013C
14	Galvanized Nut M8 ZN	4	TUF017A
15	Galvanized Screw TE M18x80 ZN	1	TUF015C
16	Self-Locking Nut M18	1	TUF016C
17	Galvanized Washer M8 ZN	4	TUF06A
18	Height Adjustment Rod	1	TUF018C
19	Galvanized Screw TE M20x100 ZN	1	TUF019C
20	Self-Locking Nut M20	1	TUF020C
21	Galvanized Screw TE M14x70 ZN	1	TUF021C
22	Self-Locking Nut M14	1	TUF022C
23	Tongue	1	TUF023C
24	Galvanized Screw TE M10x70 ZN	2	TUF024C
25	Galvanized Washer M10 ZN	2	TUF014A
26	Self-Locking Nut M10	2	TUF016A
27	1-7/8" Ball Hitch	1	15008
28	Standing	1	TUF028C
29	Pin 0 10	1	TUF029C
30	Self-Locking Nut M10	2	TUF016A
31	Galvanized Washer M10 ZN	4	TUF014A
32	Small Spring	2	TUF032C
33	Galvanized Hexagonal Screw 8x20 ZN	1	TUF033C
34	Galvanized Washer M8 ZN	1	TUF06A
35	Self-Locking Nut M8	1	TUF07A
36	L.H. Lever	1	TUF036C
37	Handle Grip	2	TUF05A
38	Galvanized Screw TE M10x60 ZN	2	TUF038C
39	Pommel M8x15	1	TUF039C
40	Lever Stop	1	TUF040C
41	R.H. Lever	1	TUF041C



Spreading Chart for Fertilizer

Fertilizer	Spreading width in Feet	Feed	Forward Speed In MPH				
			MPH	1.24	2.48	4.97	7.45
KP NPK	49	2		1333	683	341	225
		4	Pounds (avdp)	2619	1311	661	436
		6		5291	2652	1331	889
UREA	33	2		2200	1091	544	364
		4	Pounds (avdp)	4316	2165	1080	723
		6		8624	4310	2156	1433
CALC. CYNAMIDE	46	2		3739	1869	935	624
		4	Pounds (avdp)	7495	3748	1874	1248
		6		14903	7451	3637	2482
POTASSIUM SULPHATE	26	2		1746	871	436	289
		4	Pounds (avdp)	3516	1759	882	586
		6		7019	3505	1754	1168
AMMONIUM SULPHATE	33	2		2266	1146	562	379
		4	Pounds (avdp)	4497	2251	1124	750
		6		8995	4508	2248	1484
AMMONIUM NITRATE	39	2		1400	694	348	231
		4	Pounds (avdp)	2811	1408	705	470
		6		5654	2833	1415	943
CALCIUM NITRATE	46	2		1935	968	485	322
		4	Pounds (avdp)	3957	1980	992	657
		6		7881	3946	1973	1316
THOMAS MEAL	26	2		815	419	209	143
		4	Pounds (avdp)	1598	804	397	266
		6		3196	1594	798	531

This data is the average recommended amounts and speeds

Spreading Chart for Seeds

Seeds	Spreading width in Feet	Feed	Forward Speed In MPH				
			MPH	1.24	2.48	4.97	7.45
WHEAT	52	2		353	132	64	44
		4	Pounds (avdp)	2312	1201	597	397
		6		8329	3119	1554	1036
VETCH	52	2		344	125	59	37
		4	Pounds (avdp)	3263	1223	562	408
		6		7976	2938	1466	977
RYE	49	2		366	134	62	44
		4	Pounds (avdp)	3439	1285	644	432
		6		8373	3139	1565	1045
BARLEY	33	2		286	106	51	31
		4	Pounds (avdp)	4497	1684	840	557
		6		10644	3992	1991	1331
RED CLOVER	33	2		959	375	181	125
		4	Pounds (avdp)	8040	3011	1505	1000
		6		16446	6164	3075	2052
HILL RICE	49	2		397	176	130	86
		4	Pounds (avdp)	3256	1245	639	441
		6		8373	3163	1598	1078
MILLET	26	2		1003	375	187	123
		4	Pounds (avdp)	8062	3024	1730	1005
		6		15364	5754	2875	1918
LUCERNE	23	2		934	350	174	115
		4	Pounds (avdp)	7500	2813	1402	937
		6		8215	3080	1540	1025
OATS	29	2		200	75	37	22
		4	Pounds (avdp)	4288	1605	802	533
		6		11783	4431	2213	1477
SUGAR BEET	26	2		198	108	35	22
		4	Pounds (avdp)	2612	976	485	324
		6		6018	2255	1129	750
FLAX	19	2		595	222	110	70
		4	Pounds (avdp)	9689	3631	1816	1208
		6		18739	7440	3670	2696
WET RICE	52	2		264	121	88	57
		4	Pounds (avdp)	1290	829	405	304
		6		5582	2107	1065	718

Tufline

MONROE TUFLINE MFG CO INC
2219 TUFLINE LANE
PO BOX 7755
COLUMBUS, MS 39705
(662) 328-8347 PHONE
(662) 328-8361 FAX